

ZETTLER DISPLAYS

SPECIFICATIONS FOR LIQUID CRYSTAL DISPLAY

CUSTOMER APPROVAL			
※ PART NO. : <u>ATM0680L3A (ZETTLER DISPLAYS) SPEC VER1.0</u>			
APPROVAL		COMPANY CHOP	
CUSTOMER COMMENTS			

ZETTLER DISPLAYS ENGINEERING APPROVAL		
DESIGNED BY	CHECKED BY	APPROVED BY
GZC	XW	GuZH

REVISION RECORD

REVISION	REVISION DATE	PAGE	CONTENTS
PRELIMINARY	2021-12-22	--	FIRST ISSUE
VER1.0	2022-04-24	--	ADD THE PICTURE TRANSFER INSTRUCTIONS

※ **CONTENTS**

1. GENERAL SPECIFICATIONS
2. PIN ASSIGNMENT
3. OPERATING SPECIFICATIONS
4. OPTICAL SPECIFICATIONS
5. RELIABILITY TEST
6. PRECAUTION FOR USING LCM
7. MECHANICAL DRAWING
8. PACKAGE DRAWING
9. INSPECTION SPECIFICATION
10. THE PICTURE TRANSFER INSTRUCTIONS

1. GENERAL SPECIFICATIONS

Item	Specification	Remark
1. LCD size	6.86 inch(Diagonal)	
2. Driver element	a-Si TFT active matrix	
3. Resolution	480x(RGB)x1280	
4. Display mode	Normally Black, IPS, Transmissive	
5. Dot pitch (W*H)	0.04182mm(W) x 0.12546mm(H)	
6. Pixel pitch(W*H)	0.12546mm(W) x 0.12546mm(H)	
7. Active area(W*H)	60.22mm(W) x 160.59mm(H)	
8. Module size (W*H)	66.80mm(W) x 181.10mm(H) x 4.50mm(D)	Note 1
9. Surface treatment	Anti-glare	
10. Color arrangement	RGB-stripe	
11. Color	16.7M	
12. Viewing angle (L/R/T/B)	80/80/80/80	
13. Interface	MIPI 4-lane	
14. LCD controller	ICNL9707	
15. LCM brightness	1100cd/m2(Typ.)	
16. Backlight driving condition	240mA @9.0V	
17. Touch panel	N.A.	
18. Touch controller	N.A.	
19. Operation temperature	-20~70 °C	
20. Weight	100.5g(Typ.)	
21. RoHS	RoHS compliant	

Note 1: Please refer to mechanical drawing.

2. PIN ASSIGNMENT

TFT LCD Panel Driving Section

Pin No.	Symbol	Function	Level	Note
1	GND	Ground	P	
2	MIPI-D0P	MIPI-DSI data Lane 0 positive-end input/output pin	I	
3	MIPI-D0N	MIPI-DSI data Lane 0 negative-end input/output pin	I	
4	GND	Ground	P	
5	MIPI-D1P	MIPI-DSI data Lane 1 positive-end input/output pin	I	
6	MIPI-D1N	MIPI-DSI data Lane 1 negative-end input/output pin	I	
7	GND	Ground	P	
8	MIPI-CLKP	MIPI-DSI clock Lane positive-end input pin	I	
9	MIPI-CLKN	MIPI-DSI clock Lane negative-end input pin	I	
10	GND	Ground	P	
11	MIPI-D2P	MIPI-DSI data Lane 2 positive-end input/output pin	I	
12	MIPI-D2N	MIPI-DSI data Lane 2 negative-end input/output pin	I	
13	GND	Ground	P	
14	MIPI-D3P	MIPI-DSI data Lane 3 positive-end input/output pin	I	
15	MIPI-D3N	MIPI-DSI data Lane 3 negative-end input/output pin	I	
16~17	GND	Ground	P	
18~19	IOVCC	I/O power supply	P	
20~23	NC	No connection	-	
24	RST	Reset signal	I	
25~26	NC	No connection	-	
27	GND	Ground	P	
28~29	K	Power for LED backlight(Cathode)	P	
30	GND	Ground	P	
31	NC	No connection	-	
32~33	GND	Ground	P	
34	NC	No connection	-	
35~36	A	Power for LED backlight(Anode)	P	
37	GND	Ground	P	
38~39	VDD	Power supply	P	
40	NC	No connection	-	

I: input, O: output, P: Power

3. Operating Specification

3.1.1 ABSOLUTE MAXIMUM RATINGS

Item	Symbol	Values		Unit	Remark
		Min.	Max.		
Power Voltage	V_{DD}	-0.3	3.6	V	
I/O Power Voltage	V_{CC}	-0.3	3.0	V	
Supply Voltage	VSP	4.5	6.0	V	
Supply Voltage	VSN	-4.5	-6.0	V	
Operation Temperature	T_{OP}	-20	70	°C	
Storage Temperature	T_{ST}	-30	80	°C	
LED Reverse Voltage	V_R	-	5.0	V	Each LED Note 2
LED Forward Current	I_F		50	mA	Each LED

Note 1: The absolute maximum rating values of this product are not allowed to be exceeded at any times. Should a module be used with any of the absolute maximum ratings exceeded, the characteristics of the module may not be recovered, or in an extreme case, the module may be permanently destroyed.

Note 2: V_R Conditions: Zener Diode 30mA

3.1.2 Typical Operation Conditions

Item	Symbol	Values			Unit	Remark
		Min.	Typ.	Max.		
Logis Power Voltage	V_{DD}	3.0	3.3	3.6	V	Note 1
I/O Power Voltage	IOV _{CC}	1.8	3.3	3.6	V	
Input Logic High Voltage	V_{IH}	0.7DV _{DD}	--	DV _{DD}	V	Note 2
Input Logic Low Voltage	V_{IL}	0	--	0.3DV _{DD}	V	Note 2

Note 1: V_{DD} setting should match the signals output voltage of customer's system board.

Note 2: DCLK,HS,VS,RESET,DE,R0~R5,G0~G5,B0~B5,.

3.1.3 Backlight driving conditions

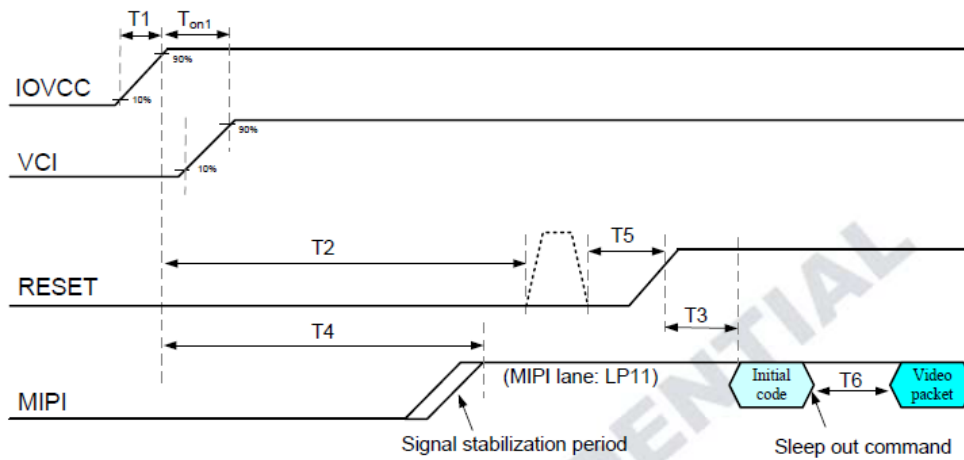
Item	Symbol	Values			Unit	Remark
		Min.	Typ.	Max.		
Voltage for LED Backlight	V_L	8.4	9.0	9.6	V	Note 1
Current for LED Backlight	I_L		240		mA	
LED life time	--	20000	--	--	Hr	Note 2

Note 1: The LED Supply Voltage is defined by the number of LED at $T_a=25^\circ\text{C}$ and $I_L=240\text{mA}$.

Note 2: The "LED life time" is defined as the module brightness decrease to 50% original brightness at $T_a=25^\circ\text{C}$ and $I_L=240\text{mA}$.

3.2 Power on/off sequence

Applied Power: IOVCC, VCI



Symbol	Description	Values			Unit	Remark
		Min.	Typ.	Max.		
T _{on1}	Delay time IOVCC to VCI	0	-	-	ms	
T1	IOVCC rising time	-	-	2	ms	
T2	Delay time of IOVCC to valid RESX to "H"	10	-	-	ms	
T3	Delay time of RESX "H" to initial code ready	20	-	-	ms	
T4	Delay time of IOVCC(HS_VCC) to MIPI bus ready	0	-	T2	ms	
T5	RESX "L" period	10	-	-	us	
T6	Delay time of initial code reloaded to video packet transmit	120	-	-	ms	

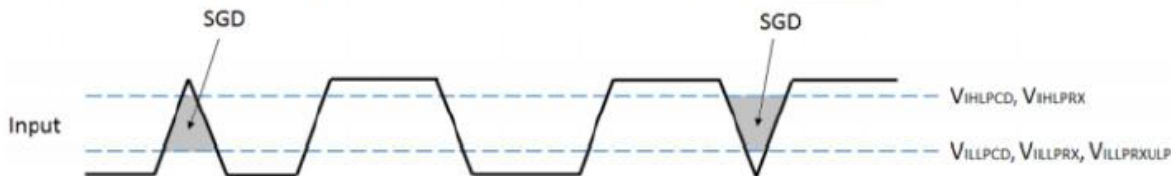
3.3 Input Signal Timing

3.3.1 DC electrical characteristics

Condition : Ta =25°C, IOVCC =1.6V~3.6V, VCI =2.6V~6.5V.

Parameter	Symbol	Conditions	Specification			Unit	Notes
			MIN	TYP	MAX		
Logic high level input voltage	V _{IHLPCD}	LP-CD	450		1350	mV	
Logic Low level input voltage	V _{ILLPCD}	LP-CD	0		200	mV	
Logic high level input voltage	V _{IHLPRX}	LP-RX (CLK,D0)	880		1350	mV	
Logic Low level input voltage	V _{ILLPRX}	LP-RX (CLK,D0)	0		550	mV	
Logic Low level input voltage	V _{ILLPRXULP}	LP-RX(CLK ULP mode)	0		300	mV	
Logic high level input voltage	V _{OHLPTX}	LP-TX(D0)	1.1		1.3	V	
Logic Low level input voltage	V _{OLLPTX}	LP-TX(D0)	-50		50	mV	
Logic high level input voltage	I _{IH}	LP-RX, V _{in} =0~1.3V			10	uA	
Logic Low level input voltage	I _{IL}	LP-RX, V _{in} =0~1.3V	-10			uA	
Input pulse rejection	SGD	DSI-CLK+/-, DSI Dn+/-			300	Vps	1

Note 1: Peak interference amplitude max. 200mV and interference frequency min. 450MHz



Condition : Ta =25°C, IOVCC =1.6V~3.6V, VCI =2.6V~6.5V.

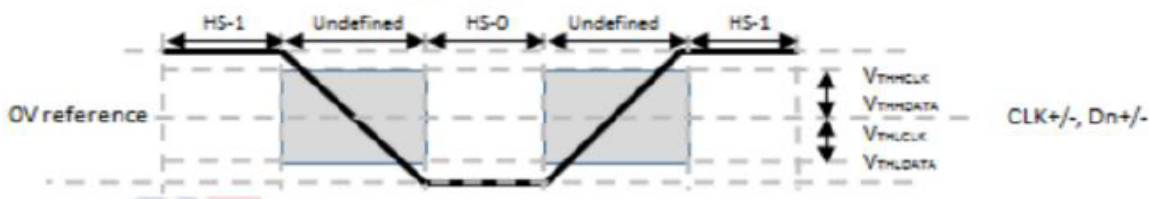
Parameter	Symbol	Conditions	Specification			Unit	Notes
			MIN	TYP	MAX		
Input voltage common mode range	V _{CMCLK} V _{CMDATA}	CLK+/-, Dn+/-	70		330	mV	1,2
Input voltage common mode variation(≤450MHz)	V _{CMRCLK} V _{CMRDATAL}	CLK+/-, Dn+/-	-50		50	mV	3
Input voltage common mode variation(≥450MHz)	V _{CMRCLKM} V _{CMRDATAM}	CLK+/-, Dn+/-			100	mV	
Low-level differential input voltage threshold	V _{THLCLK} V _{THLDATA}	CLK+/-, Dn+/-	-70			mV	
High-level differential input voltage threshold	V _{THHCLK} V _{THHDATA}	CLK+/-, Dn+/-			70	mV	
Single-ended input low voltage	V _{ILHS}	CLK+/-, Dn+/-	-40			mV	2
Single-ended input high voltage	V _{IHHS}	CLK+/-, Dn+/-			460	mV	2
Differential input termination resistor	R _{TERM}	CLK+/-, Dn+/-	80	100	125	Ω	
Single-ended threshold voltage for termination enable	V _{TERM_EN}	CLK+/-, Dn+/-			450	mV	
Termination capacitor	C _{TERM}	CLK+/-, Dn+/-			14	pF	

Note 1: Includes 50mV (-50mV to 50mV) ground difference

Note 2: Without V_{CMRCLKM} / V_{CMRDATAM}

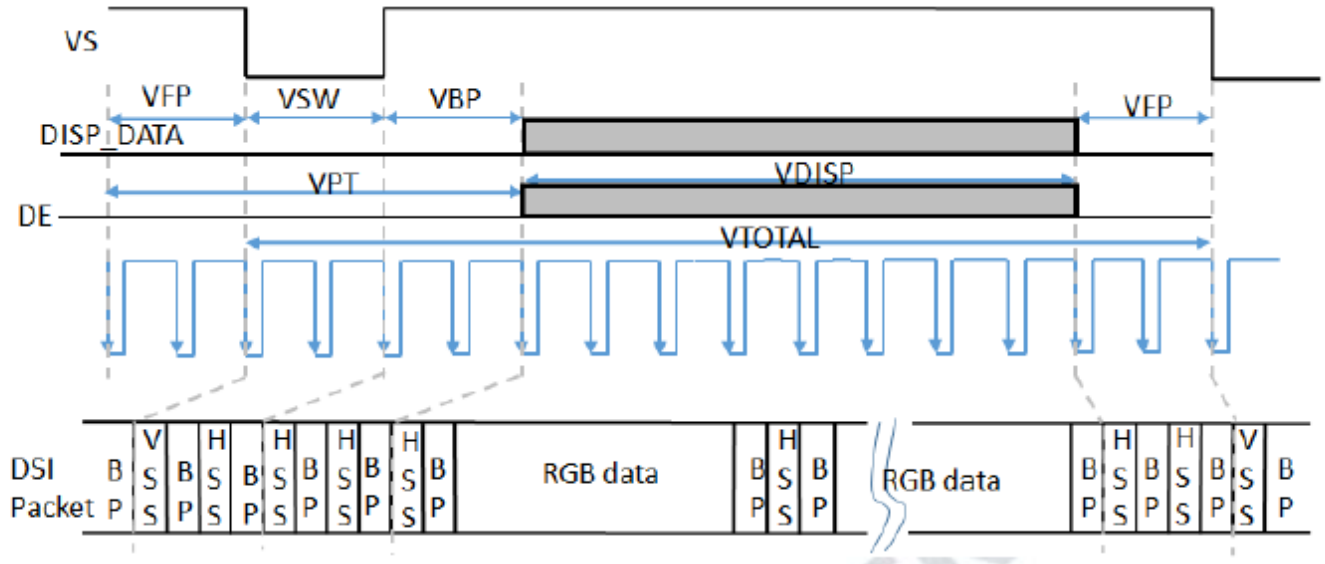
Note3: Without 50mV (-50mV to 50mV) ground difference

Note4: Dn =D0,D1,D2 and D3



3.3.2 AC CHARACTERISTICS

Vertical Timings for DSI video mode

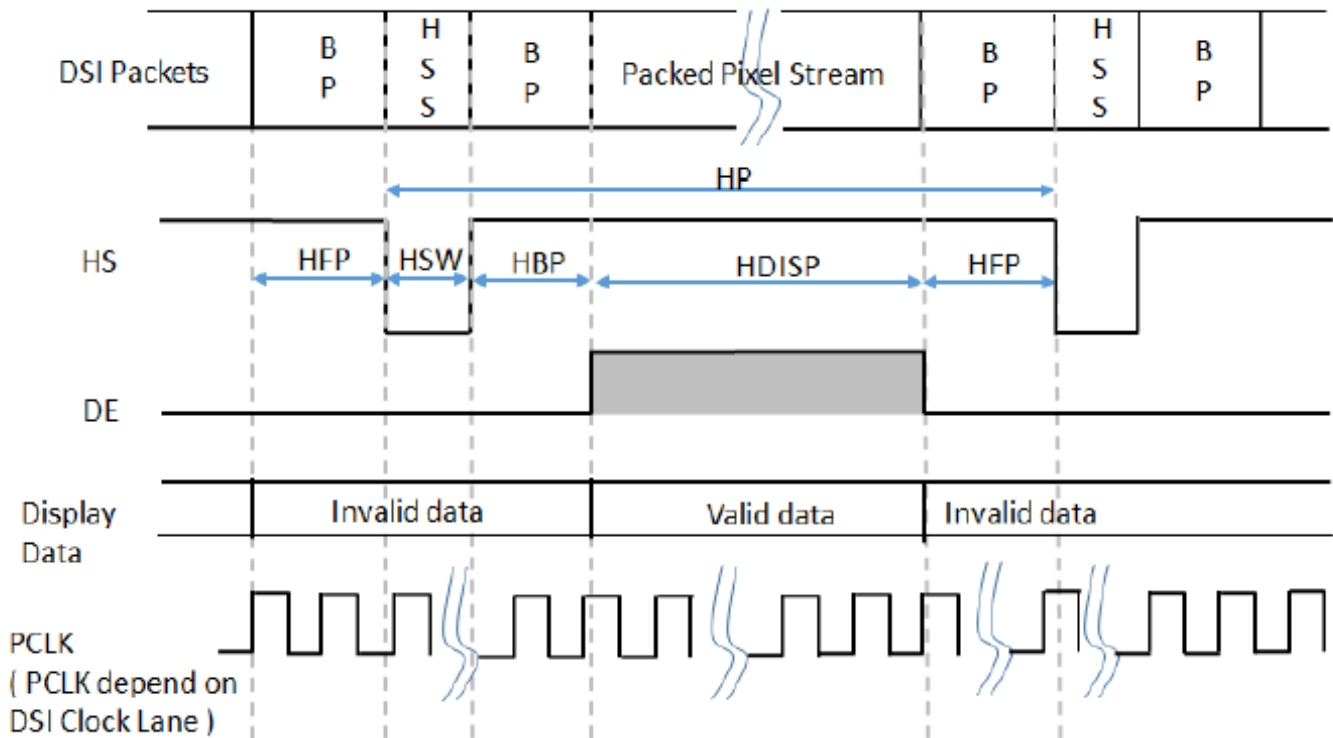


Vertical timings for DSI interface

Parameter	Symbol	Conditions	Values			Unit	Remark
			Min.	Typ.	Max.		
Vertical Total	VTOTAL		1286	-	-	Line	
Vertical low pulse width	VSW		2	-	-	Line	
Vertical front porch	VFP		2	-	-	Line	
Vertical back porch	VBP		2	-	-	Line	
Vertical data start point		VSW+VBP	4	-	-	Line	
Vertical blanking period	VPT	VSW+VBP+VFP	6	-	-	Line	
Vertical active area		VDISP	-	1280	-	Hz	
Vertical Frame rate	VFR		-	60	-		

Note1: The vsw and VBP pulse width are related to GSP and GCK timing. The GSP and GCK must be set at corresponding for LCM normal display.

Horizontal Timings for DSI video mode



Horizontal timings for DSI video mode

Parameter	Symbol	Conditions	Values			Unit	Remark
			Min.	Typ.	Max.		
HS low pulse width	HSW		0.2	-	-	us	
Horizontal back porch	HBP		1.0	-	-	us	
Horizontal front porch	HFP		1.0	-	-	us	
Horizontal data start point			1.2	-	-	us	
Horizontal blanking period	HBLK	HSW+HBP	2.2	-	-	us	
Horizontal active area	HDISP	HSW+HBP+HFP	-	480	-	DCLK	

Note 1:Horizontal active area setting reference to“10. THE PICTURE TRANSFER INSTRUCTIONS”

Refer to IC(ICNL9707) specifications for other information

4.0 OPTICAL SPECIFICATIONS

Item	Symbol	Condition	Values			Unit	Remark
			Min.	Typ.	Max.		
Viewing Angle (CR ≥ 10)	θ_L	$\Phi=180^\circ$ (9 O'CLOCK)	70	80	--	degree	Note 1
	θ_R	$\Phi=0^\circ$ (3 O'CLOCK)	70	80	--		
	θ_T	$\Phi=90^\circ$ (12 O'CLOCK)	70	80	--		
	θ_B	$\Phi=270^\circ$ (6 O'CLOCK)	70	80	--		
Response Time	$T_{ON} + T_{OFF}$	Normal $\Theta = \Phi = 0^\circ$	--	25	50	msec	Note 3
Contrast Ratio	CR		650	800	--	--	Note 4
Color Chromaticity	W_X		0.24	0.29	0.34	--	Note 2
	W_Y		0.26	0.31	0.36	--	Note 5 Note 6
Luminance	L		950	1100	--	cd/m ²	Note 6
Luminance Uniformity	YU		75	80	--	%	Note 7

Test Conditions:

1. IL=240mA (Backlight current), the ambient temperature is 25°C.
2. The test systems refer to Note 2.

Note 1: Definition of viewing angle range

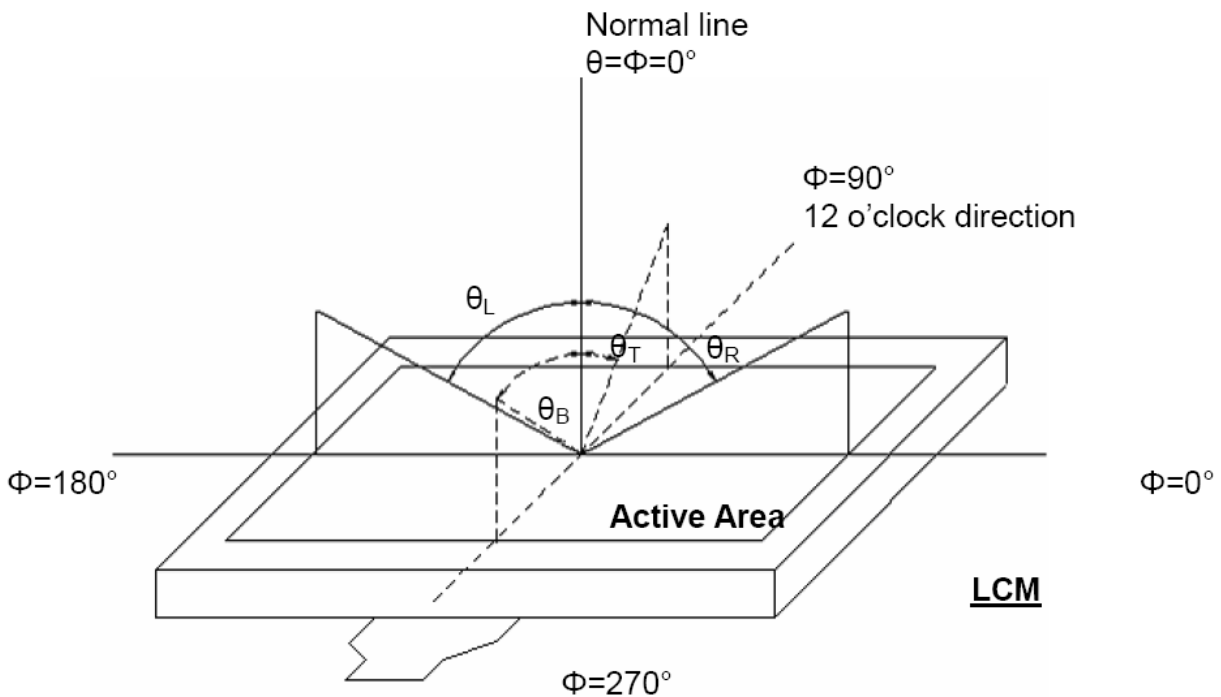


Figure 4.1 Definition of viewing angle.

Note 2: Definition of optical measurement system.

The optical characteristics should be measured in dark room. After 30 minutes operation, the optical properties are measured at the center point of the LCD screen. (Response time is measured by Photo detector TOPCON)



Figure 4.2 Optical measurement system setup

Note 3: Definition of Response time

The response time is defined as the LCD optical switching time interval between "White" state and "Black" state. Rise time (T_{ON}) is the time between photo detector output intensity changed from 90% to 10%. And fall time (T_{OFF}) is the time between photo detector output intensity changed from 10% to 90%.



Figure 4.3 Definition of response.

Note 4: Definition of contrast ratio

$$\text{Contrast ratio(CR)} = \frac{\text{Luminance measured when LCD on the "white" state}}{\text{Luminance measured when LCD on the "black" state}}$$

Note 5: Definition of color chromaticity (CIE1931)

Color coordinates measured at center point of LCD.

Note 6: All input terminals LCD panel must be ground while measuring the center area of the panel.

Note 7: Definition of Luminance Uniformity

Active area is divided into 9 measuring areas (Refer to Fig. 4.4).Every measuring point is placed at the center of each measuring area.

$$\text{Luminance Uniformity (Yu)} = \frac{B_{min}}{B_{max}}$$

L-----Active area length W----- Active area width

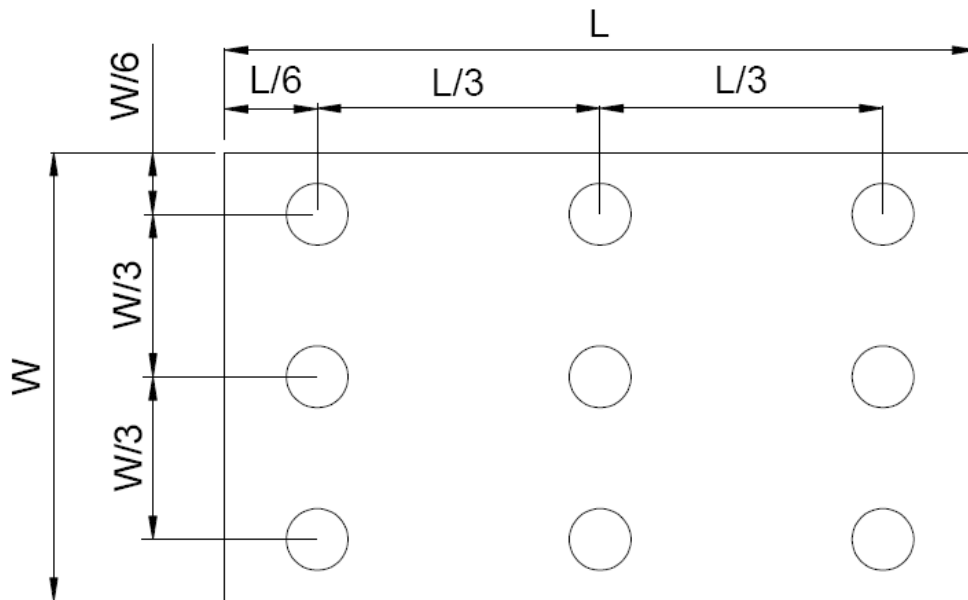


Figure 4.4 Definition of measuring points.

Bmax: The measured maximum luminance of all measurement position.

Bmin: The measured minimum luminance of all measurement position.

5. RELIABILITY TEST

Item	Test Condition Item	Remark
High temperature storage	Ta= 80 °C 96hrs	Note 1 Note 4
Low temperature storage	Ta=-30 °C 96hrs	Note 1 Note 4
High temperature operation	Ts= 70 °C 96hrs	Note 2 Note 4
Low temperature operation	Ts=-20 °C 96hrs	Note 1 Note 4
High temperature/High humidity operation	90% RH 60°C 96hrs	Note 4
Thermal Shock	-30°C/30 min ~ +80°C/30 min for a total 50 cycles, Start with cold temperature and end with high temperature.	Note 4
Vibration test	Freq:10~55~10Hz Amplitude:1.5mm 2 hours for each direction of X,Y,Z (6 hours for total)	
Mechanical shock	100G 6ms,±X, ±Y, ±Z 3 times for each direction	
Package vibration test	Random Vibration : 0.015G*G/Hz from 5-200HZ, -6dB/Octave from 200-500HZ 2 hours for each direction of X. Y. Z. (6 hours for total)	
Package drop test	Height:60 cm 1 corner, 3 edges, 6 surfaces	
Electro static discharge	± 2KV, Human Body Mode, 100pF/1500Ω	

Note 1: Ta is the ambient temperature of samples.

Note 2: Ts is the temperature of panel's surface.

Note 3: In the standard condition, there shall be no practical problem that may affect the display function. After the reliability test, the product only guarantees operation, but don't guarantee all of the cosmetic specification.

Note 4: Before cosmetic and function test, the product must have enough recovery time, at least 2 hours at room temperature.

6. PRECAUTION FOR USING LCM

1. When design the product with this LCD Module, make sure the viewing angle matches to its purpose of usage.
2. As LCD panel is made of glass substrate, Dropping the LCD module or banging it against hard objects may cause cracking or fragmentation. Especially at corners and edges.
3. Although the polarizer of this LCD Module has the anti-glare coating, always be careful not to scratch its surface. Use of a plastic cover is recommended to protect the surface of polarizer.
4. If the LCD module is stored at below specified temperature, the LC material may freeze and be deteriorated. If it is stored at above specified temperature, the molecular orientation of the LC material may change to Liquid state and it may not revert to its original state. Excessive temperature and humidity could cause polarizer peel off or bubble. Therefore, the LCD module should always be stored within specified temperature range.
5. Saliva or water droplets must be wiped off immediately as those may leave stains or cause color changes if remained for a long time. Water vapor will cause corrosion of ITO electrodes.
6. If the surface of LCD panel needs to be cleaned, wipe it swiftly with cotton or other soft cloth. If it is not still clean enough, blow a breath on the surface and wipe again.
7. The module should be driven according to the specified ratings to avoid malfunction and permanent damage. Applying DC voltage cause a rapid deterioration of LC material. Make sure to apply alternating waveform by continuous application of the M signal. Especially the power ON/OFF sequence should be kept to avoid latch-up of driver LSIs and DC charge up to LCD panel.
8. Mechanical Considerations
 - a) LCM are assembled and adjusted with a high degree of precision. Avoid excessive shocks and do not make any alterations or modifications. The following should be noted.
 - b) Do not tamper in any way with the tabs on the metal frame.
 - c) Do not modify the PCB by drilling extra holes, changing its outline, moving its components or modifying its pattern.
 - d) Do not touch the elastomer connector; especially insert a backlight panel (for example, EL).
 - e) When mounting a LCM makes sure that the PCB is not under any stress such as bending or twisting. Elastomer contacts are very delicate and missing pixels could result from slight dislocation of any of the elements.
 - f) Avoid pressing on the metal bezel, otherwise the elastomer connector could be deformed and lose contact, resulting in missing pixels.
9. Static Electricity
 - a) Operator

Wear the electrostatics shielded clothes because human body may be statically charged if not ware shielded clothes. Never touch any of the conductive parts such as the LSI pads; the copper leads on the PCB and the interface terminals with any parts of the human body.
 - b) Equipment

There is a possibility that the static electricity is charged to the equipment, which has a function of peeling or friction action (ex: conveyer, soldering iron, working table). Earth the equipment through proper resistance (electrostatic earth: 1×10^8 ohm).
Only properly grounded soldering irons should be used.
If an electric screwdriver is used, it should be well grounded and shielded from commutator sparks.
The normal static prevention measures should be observed for work clothes and working benches; for the latter conductive (rubber) mat is recommended.
 - c) Floor

Floor is the important part to drain static electricity, which is generated by operators or equipment.
There is a possibility that charged static electricity is not properly drained in case of insulating floor. Set the electrostatic earth (electrostatic earth: 1×10^8 ohm).
 - d) Humidity

Proper humidity helps in reducing the chance of generating electrostatic charges. Humidity should be kept over 50%RH.
 - e) Transportation/storage

The storage materials also need to be anti-static treated because there is a possibility that the human body or storage materials such as containers may be statically charged by friction or peeling.
The modules should be kept in antistatic bags or other containers resistant to static for storage.
 - f) Soldering

Solder only to the I/O terminals. Use only soldering irons with proper grounding and no leakage.
Soldering temperature : $280^{\circ} \text{ C} \pm 10^{\circ} \text{ C}$
Soldering time: 3 to 4 sec.
Use eutectic solder with resin flux fill.
If flux is used, the LCD surface should be covered to avoid flux spatters. Flux residue should be removed afterwards.
 - g) Others

ATM0680L3A (ZETTLER DISPLAYS) TFT MODULE SPEC VER1.0

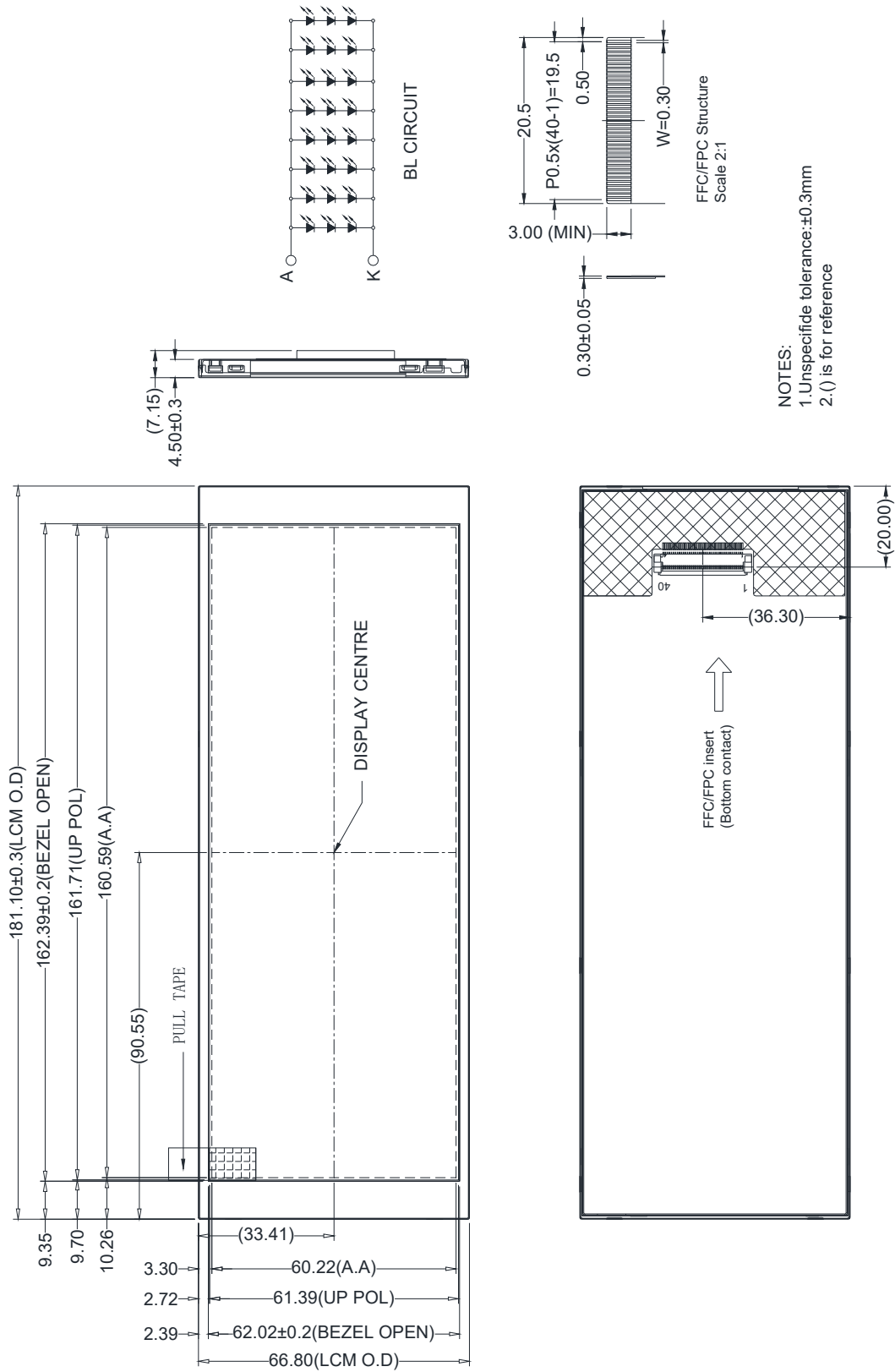
The laminator (protective film) is attached on the surface of LCD panel to prevent it from scratches or stains. It should be peeled off slowly using static eliminator.

Static eliminator should also be installed to the workbench to prevent LCD module from static charge.

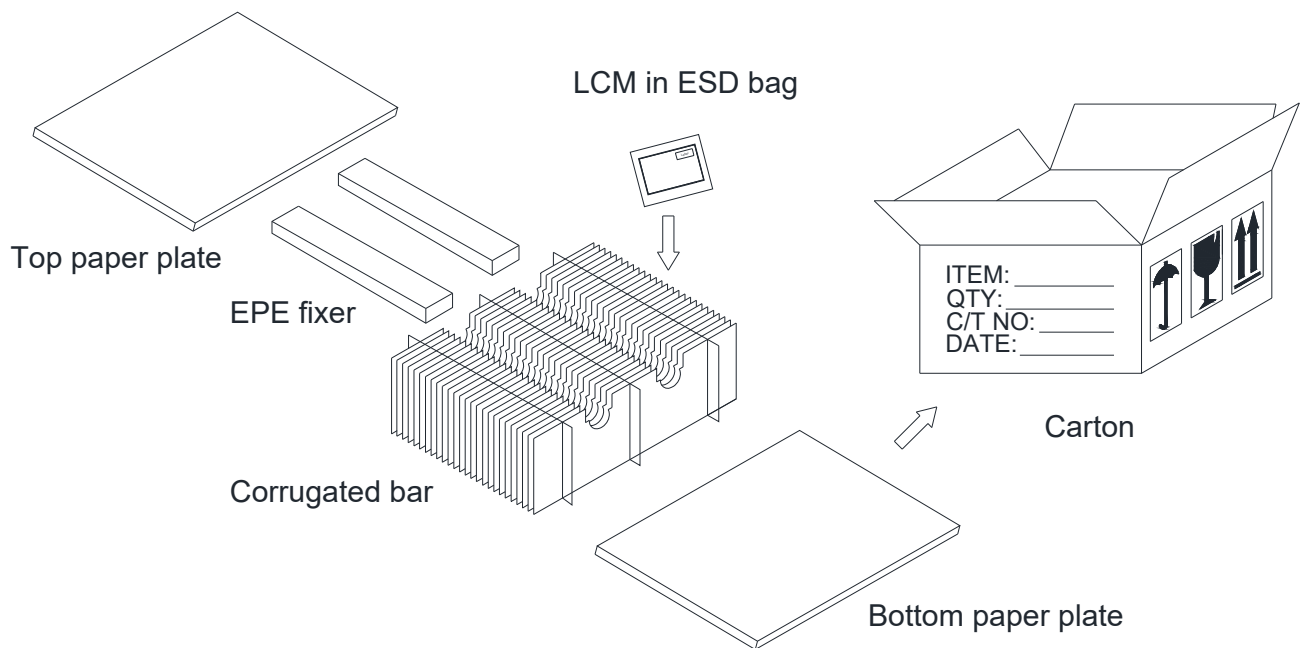
10. Operation

- a) Driving voltage should be kept within specified range; excess voltage shortens display life.
 - b) Response time increases with decrease in temperature.
 - c) Display may turn black or dark blue at temperatures above its operational range; this is (however not pressing on the viewing area) may cause the segments to appear "fractured".
 - d) Mechanical disturbance during operation (such as pressing on the viewing area) may cause the segments to appear "fractured".
11. If any fluid leaks out of a damaged glass cell, wash off any human part that comes into contact with soap and water. The toxicity is extremely low but caution should be exercised at all the time.
 12. Disassembling the LCD module can cause permanent damage and it should be strictly avoided.
 13. LCD retains the display pattern when it is applied for long time (Image retention). To prevent image retention, do not apply the fixed pattern for a long time. Image retention is not a deterioration of LCD. It will be removed after display pattern is changed.
 14. Do not use any materials, which emit gas from epoxy resin (hardener for amine) and silicone adhesive agent (dealcohol or deoxym) to prevent discoloration of polarizer due to gas.
 15. Avoid the exposure of the module to the direct sunlight or strong ultraviolet light for a long time. The brightness of LCD module may be affected by the routing of CCFL cables due to leakage to the chassis through coupling effect. The inverter circuit needs to be designed taking the level of leakage current into consideration. Thorough evaluation is needed for LCD module and inverter built into its host equipment to ensure specified brightness.

7. MECHANICAL DRAWING



8. PACKAGE DRAWING



9. INSPECTION SPECIFICATION

1. SCOPE SPECIFICATIONS CONTAIN

- 1.1 DISPLAY QUALITY EVALUATION
- 1.2 MECHANICS SPECIFICATION

2. SAMPLING PLAN

UNLESS THERE IS OTHER AGREEMENT, THE SAMPLING PLAN FOR INCOMING INSPECTION SHALL FOLLOW MIL-STD-105E.

- 2.1 LOT SIZE: QUANTITY PER SHIPMENT AS ONE LOT (DIFFERENT MODEL AS DIFFERENT LOT).
- 2.2 SAMPLING TYPE: NORMAL INSPECTION, SINGLE SAMPLING.
- 2.3 SAMPLING LEVEL: LEVEL II.
- 2.4 AQL: ACCEPTABLE QUALITY LEVEL
 - MAJOR DEFECT: AQL=0.65
 - MINOR DEFECT: AQL=1.0

3. PANEL INSPECTION CONDITION

- 3.1 ENVIRONMENT:
 - ROOM TEMPERATURE: 25±5°C.
 - HUMIDITY: 65±5% RH.
 - ILLUMINATION: 300 ~ 700 LUX.
- 3.2 INSPECTION DISTANCE:
 - 35±5 CM
- 3.3 INSPECTION ANGLE:
 - THE VISION OF INSPECTOR SHOULD BE PERPENDICULAR TO THE SURFACE OF THE MODULE.
- 3.4 INSPECTION TIME:
 - PERCEPTIBILITY TEST TIME: 20 SECONDS MAX.

4. DISPLAY QUALITY

- 4.1 FUNCTION RELATED:
 - THE FUNCTION DEFECTS OF LINE DEFECT, ABNORMAL DISPLAY, AND NO DISPLAY ARE CONSIDERED MAJOR DEFECTS.
- 4.2 BRIGHT/DARK DOTS:

Defect Type	Specification	Major	Minor
Bright Dots	$N \leq 2$		•
Dark Dots	$N \leq 3$		•
Total Bright and Dark Dots	$N \leq 4$		•

Note: 1:

The definition of dot: The size of a defective dot over 1/2 of whole dot is regarded as one defective dot.
 Bright dot: Dots appear bright and unchanged in size in which LCD panel is displaying under black pattern.
 The bright dot defect must be visible through 2% ND filter
 Dark dot: Dots appear dark and unchanged in size in which LCD panel is displaying under pure red, green, blue pattern.

4.3 Pixel Definition:

R	G	B	R	G	B	R	G	B				Dot Defect
R	G	B	R	G	B	R	G	B				Adjacent Dot Defect
R	G	B	R	G	B	R	G	B				Cluster

Note 1:

If pixel or partial sub-pixel defects exceed 50% of the affected pixel or sub-pixel area, it shall be considered as 1 defect.

Note 2:

There should be no distinct non-uniformity visible through 2% ND Filter within 2 sec inspection times.

ATM0680L3A (ZETTLER DISPLAYS) TFT MODULE SPEC VER1.0

4.4 Visual Inspection specifications:

<u>Defect Type</u>		<u>Specification Size</u>	<u>Count(N)</u>	Major	Minor	
Dot Shape (Particle · Scratch and Bubbles in display area) 		$D \leq 0.25 \text{ mm}$	Ignored			
		$0.25\text{mm} < D \leq 0.5\text{mm}$	$N \leq 3$		•	
		$D > 0.5\text{mm}$	$N=0$			
Newton Ring (Only for Touch panel)		$D \leq 70\text{mm}$	$N \leq 4$		•	
		$D > 70\text{mm}$	$N=0$			
TSP Fish Eyes (Only for Touch panel) (Bubble/Dent)		$0.1\text{mm} < D \leq 0.2\text{mm}$	$N \leq 4$			
		$0.2\text{mm} < D \leq 0.3\text{mm}$	$N \leq 3$		•	
		$0.3 < D \leq 0.4$	$N \leq 2$			
Line Shape (Particles · Scratch · Lint and Bubbles in display area) 		$W \leq 0.01 \text{ mm}$	Ignored			
		$0.01\text{mm} < W \leq 0.05\text{mm}$ and $L \leq 3\text{mm}$	$N \leq 3$		•	
		$W > 0.05\text{mm}$ or $L > 3 \text{ mm}$	$N=0$			
Bubble in cell (active area)		It should be found by eyes			•	
Bezel	Scratch	No harm			•	
	Dirt				•	
	Wrap				•	
	Sunken				•	
Label	No label	No			•	
	Inverted label				•	
	Broken				•	
	Dirt			Word can be read.		•
	Not clear					•
	Word out of shape			No		•
	Mistake			No		•
	Position			Be attached on right position		•
Screw	Not enough	No			•	
	Limp	No			•	

ATM0680L3A (ZETTLER DISPLAYS) TFT MODULE SPEC VER1.0

Connector	Connection status	No bend on pins and damage		•
FPC/FFC	Broken	No		•

Note: Extraneous substance and scratch not affecting the display of image, for instance, extraneous substance under polarizer film but outside the display area, or scratch on metal bezel and backlight module or polarizer film outside the display area, shall not be considered as defective or non-conforming.

10. THE PICTURE TRANSFER INSTRUCTIONS

ICNL9707 minimum support for 600RGB, with 480RGB Panel, the platform needs to handle the way of sending diagram.

Solution:600RGBx1280,Send black screen on the left.

